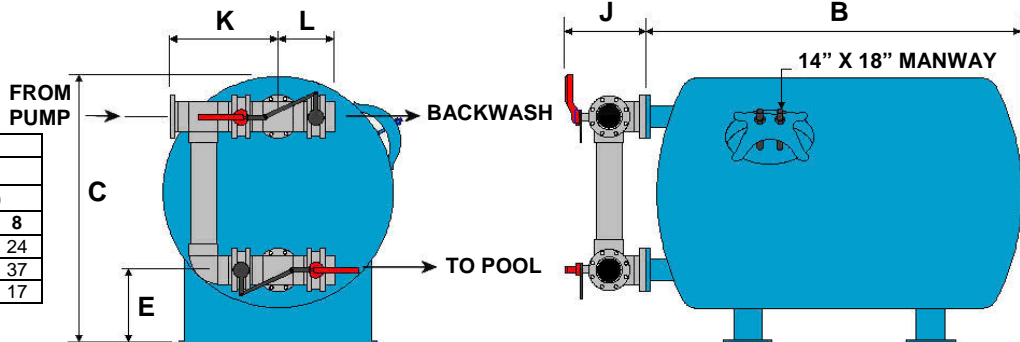


Model SHFFG Horizontal Fiberglass Sand Filters

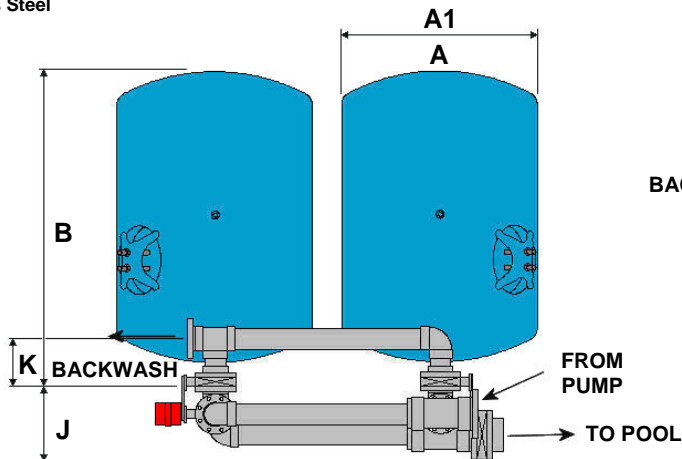
3-Way Face Piping Configurations

Face Piping Dimensions (inches)				
Single Tank				
Dimensions	Face Piping Size (inches)			
	3	4	6	8
J	15 1/4	17	20	24
K	19	22	28	37
L	8 7/8	10 5/8	13 1/2	17

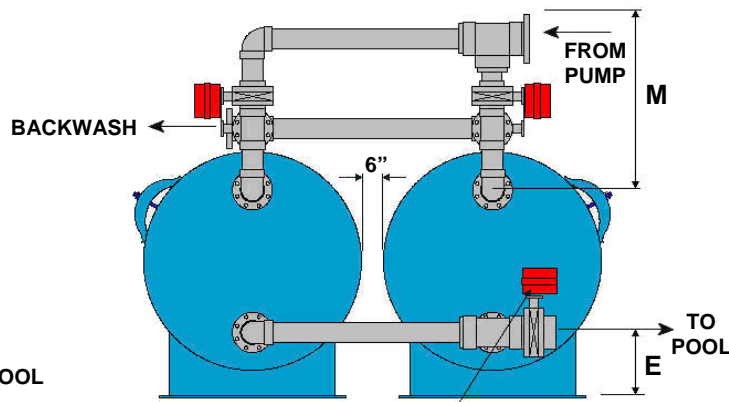
Also Available in:
Carbon Steel
Stainless Steel
A.S.M.E.



Single Tank Design

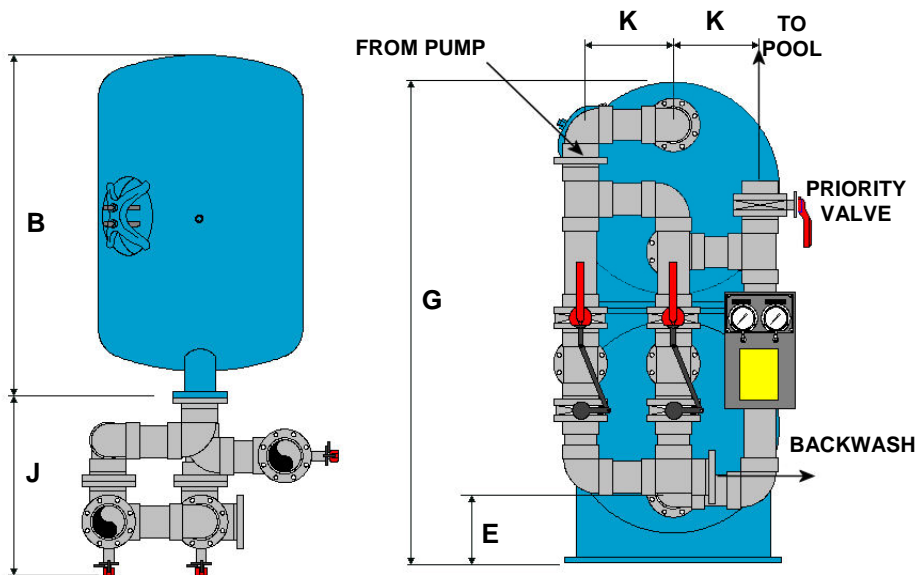


Side by Side (SxS) Dual Tank Design



PRIORITY VALVE

Face Piping Dimensions (inches)												
Dimensions	Face Piping Size (inches)											
	Side by Side (SxS)						Stacked Tank					
	4x3	6x4	6x6	8x6	10x6	10x8	4x3	6x4	6x6	8x6	10x6	10x8
J	14	18	19	22	28	28	26	31	41	41	41	54
K	9 1/2	11	16	16	16	16	21	26	30	33	39	42
M	33	38	45	48	54	60	-	-	-	-	-	-



Stacked (S) Dual Tank Design

PG-1-4
Rev. 5/6/08



Model SHFFG Horizontal Fiberglass Sand Filters

Physical Capacity & Dimensional Information

Filter Model Number	Tank Conn Size	Filter Area (SF)	Flow Capacity (GPM)	Filter Rate (GPM/SF)	Tank Shipping Weight (LBS)	Operating Weight (LBS)	All dimensions are in inches					
							A*	A1*	B	C	E	G
(*)3448SHFFG	3	12.6	63-206	5-15	356	3239	33 1/4	34	64	41	13 3/4	83
(*)3448SHFFG	4	12.6	207-252	17-20	356	3239	33 1/4	34	64	41	13 3/4	83
(*)3454SHFFG	3	14.0	70-206	5-14	383	3642	33 1/4	34	70	41	13 3/4	83
(*)3454SHFFG	4	14.0	207-280	15-20	383	3642	33 1/4	34	70	41	13 3/4	83
(*)3460SHFFG	4	15.4	77-308	5-20	410	4044	33 1/4	34	76	41	13 3/4	83
(*)3466SHFFG	4	16.8	84-336	5-20	465	4446	33 1/4	34	82	41	13 3/4	83
(*)3472SHFFG	4	18.2	91-358	5-20	479	5043	33 1/4	34	88	41	13 3/4	83
(*)3478SHFFG	4	19.6	98-358	5-18	492	5446	33 1/4	34	94	41	13 3/4	83
(*)3478SHFFG	6	19.6	98-392	5-20	492	5446	33 1/4	34	94	41	13 3/4	83
(*)3484SHFFG	4	21.0	105-358	5-17	505	5849	33 1/4	34	100	41	13 3/4	83
(*)3484SHFFG	6	21.0	105-420	5-20	505	5849	33 1/4	34	100	41	13 3/4	83
(*)3490SHFFG	4	22.4	112-358	5-16	518	6252	33 1/4	34	106	41	13 3/4	83
(*)3490SHFFG	6	22.4	112-448	5-20	518	6252	33 1/4	34	106	41	13 3/4	83
(*)3496SHFFG	4	23.8	119-357	5-15	531	6655	33 1/4	34	112	41	13 3/4	83
(*)3496SHFFG	6	23.8	119-476	5-20	531	6655	33 1/4	34	112	41	13 3/4	83
(*)3648SHFFG	3	14.3	72-215	5-15	375	3650	36	36 3/4	67 3/4	43	14 3/4	87
(*)3648SHFFG	4	14.3	216-286	16-20	375	3650	36	36 3/4	67 3/4	43	14 3/4	87
(*)3660SHFFG	4	17.3	87-346	5-20	425	4260	36	36 3/4	79 3/4	43	14 3/4	87
(*)3672SHFFG	4	20.3	102-358	5-17	490	5070	36	36 3/4	91 3/4	43	14 3/4	87
(*)3672SHFFG	6	20.3	358-406	18-20	490	5070	36	36 3/4	91 3/4	43	14 3/4	87
(*)3684SHFFG	4	23.3	117-358	5-15	535	5870	36	36 3/4	103 3/4	43	14 3/4	87
(*)3684SHFFG	6	23.3	359-466	16-20	535	5870	36	36 3/4	103 3/4	43	14 3/4	87
(*)3696SHFFG	6	26.3	132-526	5-20	580	6680	36	36 3/4	115 3/4	43	14 3/4	87
(*)36108SHFFG	6	29.3	147-586	5-20	615	7490	36	36 3/4	127 3/4	43	14 3/4	87
(*)36120SHFFG	6	32.3	162-646	5-20	655	8290	36	36 3/4	139 3/4	43	14 3/4	87
(*)4248SHFFG	4	17.1	86-342	5-20	435	4870	42	42 3/4	69 3/4	49	14 3/4	99
(*)4260SHFFG	4	20.4	102-358	5-17	515	5680	42	42 3/4	81 3/4	49	14 3/4	99
(*)4260SHFFG	6	20.4	359-408	18-20	515	5680	42	42 3/4	81 3/4	49	14 3/4	99
(*)4272SHFFG	4	23.9	120-358	5-15	560	6685	42	42 3/4	93 3/4	49	14 3/4	99
(*)4272SHFFG	6	23.9	359-478	16-20	560	6685	42	42 3/4	93 3/4	49	14 3/4	99
(*)4284SHFFG	6	27.4	137-548	5-20	610	7690	42	42 3/4	105 3/4	49	14 3/4	99
(*)4296SHFFG	6	30.9	155-618	5-20	660	8700	42	42 3/4	117 3/4	49	14 3/4	99
(*)42108SHFFG	6	34.6	173-692	5-20	710	9700	42	42 3/4	129 3/4	49	14 3/4	99
(*)42120SHFFG	6	38.1	191-762	5-20	760	10710	42	42 3/4	141 3/4	49	14 3/4	99
(*)42132SHFFG	6	41.6	208-832	5-20	805	11720	42	42 3/4	153 3/4	49	14 3/4	99
(*)42144SHFFG	6	45.1	225-900	5-20	855	12720	42	42 3/4	165 3/4	49	14 3/4	99
(*)4848SHFFG	4	19.7	99-358	5-18	550	6310	48	48 3/4	70 3/4	55	14 3/4	111
(*)4848SHFFG	6	19.7	359-394	19-20	550	6310	48	48 3/4	70 3/4	55	14 3/4	111
(*)4860SHFFG	4	23.7	119-358	5-15	605	7520	48	48 3/4	82 3/4	55	14 3/4	111
(*)4860SHFFG	6	23.7	359-474	16-20	605	7520	48	48 3/4	82 3/4	55	14 3/4	111
(*)4872SHFFG	6	27.7	139-554	5-20	660	8915	48	48 3/4	94 3/4	55	14 3/4	111
(*)4884SHFFG	6	31.7	159-634	5-20	715	10120	48	48 3/4	106 3/4	55	14 3/4	111
(*)4896SHFFG	6	35.7	179-714	5-20	770	11320	48	48 3/4	118 3/4	55	14 3/4	111
(*)48108SHFFG	6	39.7	199-794	5-20	825	12530	48	48 3/4	130 3/4	55	14 3/4	111
(*)48120SHFFG	6	43.7	219-874	5-20	880	13730	48	48 3/4	142 3/4	55	14 3/4	111
(*)6048SHFFG	4	30.8	154-340	5-11	841	12460	60	60 3/4	84 3/4	68	16 3/4	135
(*)6048SHFFG	6	30.8	341-616	12-20	841	12460	60	60 3/4	84 3/4	68	16 3/4	135
(*)6060SHFFG	6	35.8	179-716	5-20	918	14473	60	60 3/4	96 3/4	68	16 3/4	135
(*)6072SHFFG	6	40.8	204-816	5-20	1010	16501	60	60 3/4	108 3/4	68	16 3/4	135
(*)6084SHFFG	6	45.8	229-779	5-17	1082	18510	60	60 3/4	120 3/4	68	16 3/4	135
(*)6084SHFFG	8	45.8	780-916	18-20	1082	18510	60	60 3/4	120 3/4	68	16 3/4	135
(*)6096SHFFG	6	50.8	254-762	5-15	1154	20518	60	60 3/4	132 3/4	68	16 3/4	135
(*)6096SHFFG	8	50.8	763-1016	16-20	1154	20518	60	60 3/4	132 3/4	68	16 3/4	135
(*)60108SHFFG	6	55.8	279-813	5-15	1216	22417	60	60 3/4	144 3/4	68	16 3/4	135
(*)60108SHFFG	8	55.8	814-1116	16-20	1216	22417	60	60 3/4	144 3/4	68	16 3/4	135
(*)60120SHFFG	6	60.8	304-790	5-13	1282	24519	60	60 3/4	156 3/4	68	16 3/4	135
(*)60120SHFFG	8	60.8	791-1216	14-20	1282	24519	60	60 3/4	156 3/4	68	16 3/4	135
(*)60132SHFFG	6	65.8	329-790	5-12	1355	26335	60	60 3/4	168 3/4	68	16 3/4	135
(*)60132SHFFG	8	65.8	791-1316	13-20	1355	26335	60	60 3/4	168 3/4	68	16 3/4	135
(*)60144SHFFG	8	70.8	354-1416	5-20	1432	28348	60	60 3/4	180 3/4	68	16 3/4	135
(*)60156SHFFG	8	75.8	379-1516	5-20	1504	30357	60	60 3/4	192 3/4	68	16 3/4	135
(*)60168SHFFG	8	80.8	404-1616	5-20	1571	32167	60	60 3/4	204 3/4	68	16 3/4	135

Note: All dimensions are based on fiberglass construction, 50 psi operating pressure and 75 psi hydrostatic test. Consult Neptune-Benson for dimensional verification on custom fabricated vessels. All tanks include air relief and drain connections.

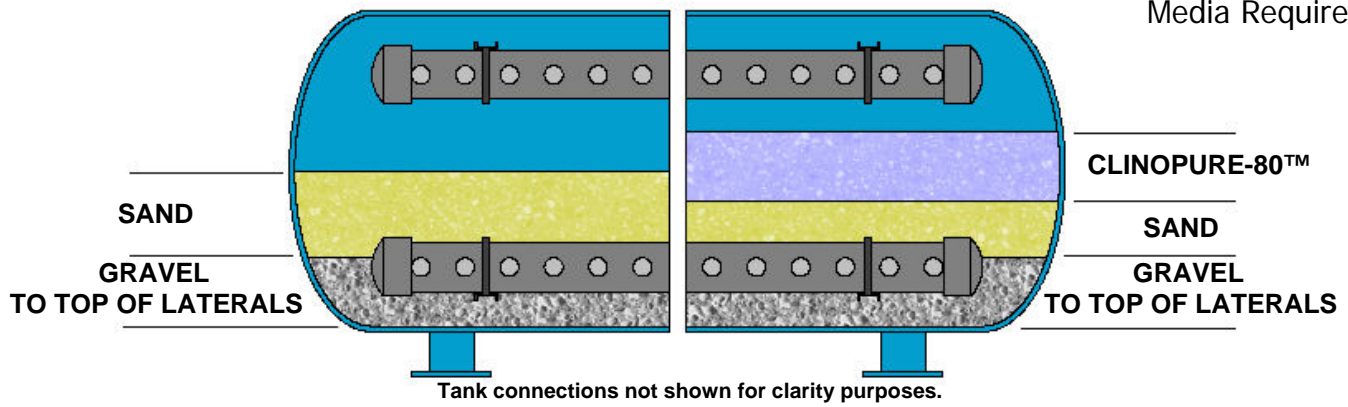
(*)Denotes quantity of tanks.
 Tank shipping weight includes manifold & internals.
 A* = Inside Diameter
 A1* = Outside Diameter

PG-1-5
 Rev. 5/6/08



Model SHFFG Horizontal Fiberglass Sand Filters

Media Requirements



STANDARD MEDIA CHART

All dimensions are in inches

Filter Model Number	Gravel (CF)	Filter Sand (CF)	Sand Depth	Total Bed Depth
(*)3448SHFFG	5	10	10	18
(*)3454SHFFG	5	11	10	18
(*)3460SHFFG	6	12	10	18
(*)3466SHFFG	7	13	10	18
(*)3472SHFFG	7	14	10	18
(*)3478SHFFG	8	15	10	18
(*)3484SHFFG	8	16	10	18
(*)3490SHFFG	9	17	10	18
(*)3496SHFFG	10	19	10	18
(*)3648SHFFG	6	11	9	18
(*)3660SHFFG	7	13	9	18
(*)3672SHFFG	9	15	9	18
(*)3684SHFFG	10	18	9	18
(*)3696SHFFG	11	21	9	18
(*)36108SHFFG	13	23	9	18
(*)36120SHFFG	14	26	9	18
(*)4248SHFFG	6	17	12	21
(*)4260SHFFG	8	19	12	21
(*)4272SHFFG	9	23	12	21
(*)4284SHFFG	11	26	12	21
(*)4296SHFFG	12	30	12	21
(*)42108SHFFG	14	33	12	21
(*)42120SHFFG	15	37	12	21
(*)42132SHFFG	17	40	12	21
(*)42144SHFFG	18	44	12	21
(*)4848SHFFG	7	23	15	24
(*)4860SHFFG	8	28	15	24
(*)4872SHFFG	10	33	15	24
(*)4884SHFFG	12	37	15	24
(*)4896SHFFG	13	42	15	24
(*)48108SHFFG	15	46	15	24
(*)48120SHFFG	17	50	15	24
(*)6048SHFFG	12	48	19	30
(*)6060SHFFG	14	56	19	30
(*)6072SHFFG	16	64	19	30
(*)6084SHFFG	18	72	19	30
(*)6096SHFFG	20	80	19	30
(*)60108SHFFG	22	87	19	30
(*)60120SHFFG	25	95	19	30
(*)60132SHFFG	27	102	19	30
(*)60144SHFFG	29	110	19	30
(*)60156SHFFG	31	118	19	30
(*)60168SHFFG	33	125	19	30

CLINO PURE-80™ HYBRID MIX CHART

All dimensions are in inches

Filter Model Number	Gravel (CF)	Filter Sand (CF)	ClinoPure-80 (CF)	Sand Depth	ClinoPure-80 Depth	Total Bed Depth
(*)3448SHFFG	5	3	8	3	10	21
(*)3454SHFFG	5	3	9	3	10	21
(*)3460SHFFG	6	4	10	3	10	21
(*)3466SHFFG	7	4	11	3	10	21
(*)3472SHFFG	7	4	12	3	10	21
(*)3478SHFFG	8	5	13	3	10	21
(*)3484SHFFG	8	5	14	3	10	21
(*)3490SHFFG	9	5	15	3	10	21
(*)3496SHFFG	10	6	15	3	10	21
(*)3648SHFFG	6	2	13	3	10	22
(*)3660SHFFG	7	3	15	3	10	22
(*)3672SHFFG	9	3	18	3	10	22
(*)3684SHFFG	10	4	21	3	10	22
(*)3696SHFFG	11	5	24	3	10	22
(*)36108SHFFG	13	5	27	3	10	22
(*)36120SHFFG	14	6	30	3	10	22
(*)4248SHFFG	6	5	18	3	13	25
(*)4260SHFFG	8	5	21	3	13	25
(*)4272SHFFG	9	6	25	3	13	25
(*)4284SHFFG	11	6	29	3	13	25
(*)4296SHFFG	12	8	32	3	13	25
(*)42108SHFFG	14	8	36	3	13	25
(*)42120SHFFG	15	9	40	3	13	25
(*)42132SHFFG	17	10	43	3	13	25
(*)42144SHFFG	18	11	48	3	13	25
(*)4848SHFFG	7	5	24	3	16	28
(*)4860SHFFG	8	6	29	3	16	28
(*)4872SHFFG	10	7	35	3	16	28
(*)4884SHFFG	12	7	40	3	16	28
(*)4896SHFFG	13	8	46	3	16	28
(*)48108SHFFG	15	9	50	3	16	28
(*)48120SHFFG	17	9	55	3	16	28
(*)6048SHFFG	12	23	42	10	16	36
(*)6060SHFFG	14	26	49	10	16	36
(*)6072SHFFG	16	30	55	10	16	36
(*)6084SHFFG	18	34	62	10	16	36
(*)6096SHFFG	20	37	69	10	16	36
(*)60108SHFFG	22	41	75	10	16	36
(*)60120SHFFG	25	44	82	10	16	36
(*)60132SHFFG	27	48	88	10	16	36
(*)60144SHFFG	29	51	95	10	16	36
(*)60156SHFFG	31	55	101	10	16	36
(*)60168SHFFG	33	58	108	10	16	36

