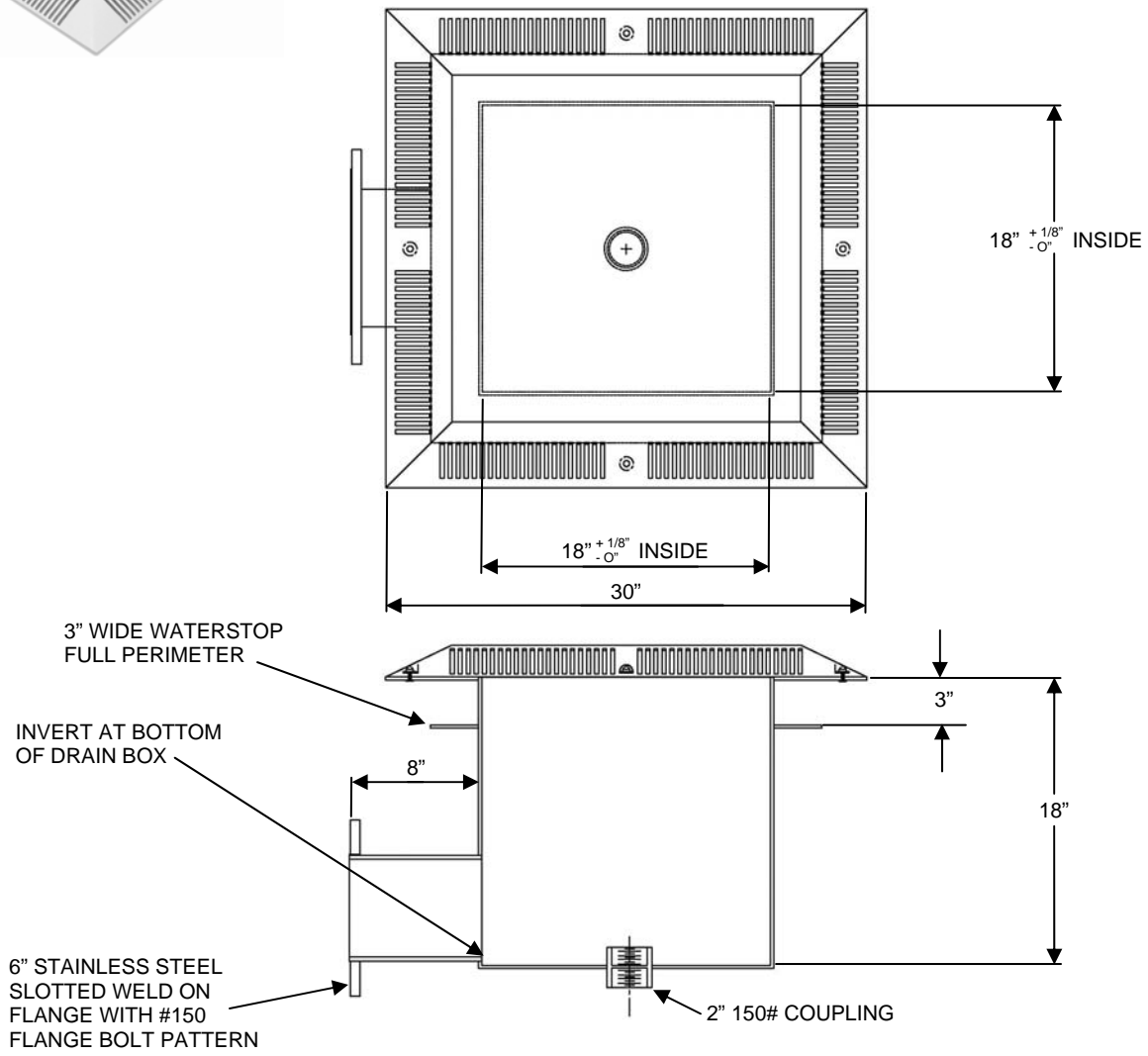


**18" x 18" x 18" STAINLESS STEEL MAIN DRAIN  
6" FLANGED CONNECTION  
WITH FIBERGLASS AEGIS ANTI – ENTRAPMENT SHIELD  
MAX. FLOW RATE @ 1.5 F.P.S. = 600 G.P.M.  
PART # 181818SSMD-AE-6**



**ASME A112.19.8a-2008 VGB-2008  
SINGLE OR MULTIPLE DRAIN USE  
WALL FLOW RATE: 1120 G.P.M.  
FLOOR FLOW RATE: 1432 G.P.M.  
LIFE: 15 YEARS – SUBMERGED OUTLET  
AEGIS by NEPTUNE - BENSON, INC.**

NOTE:  
 • ALL SUMP MATERIAL = 12ga. TYPE 304 S.S.  
 • INCLUDES STAINLESS STEEL TYPE 316 HARDWARE

N 4/21/09	
BY	RPD
CHK	SJH

