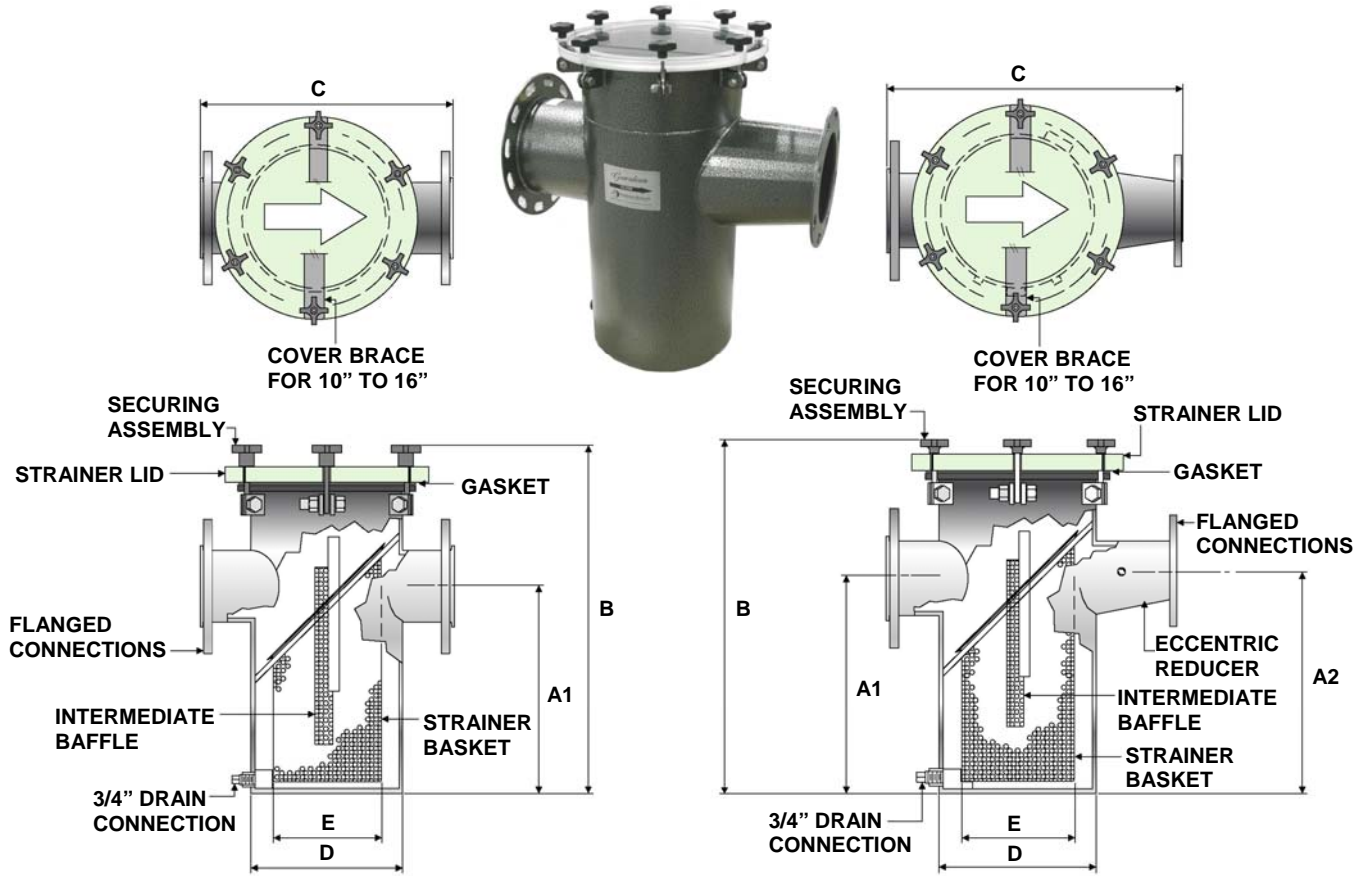


Stainless Steel Hair And Lint Strainers



Straight

Eccentric Reducing

Capacity And Dimension Chart

| Strainer Size | Strainer Part # | SS Basket Part # | Open Area Of Pipe (Sq In) | Open Area Of Basket (Sq In) | Ratio Of Open Area | MAX. Flow Rate (GPM) | All dimensions are in inches | | | | | Approx Weight (lbs.) | | |
|--------------------|-----------------|------------------|---------------------------|-----------------------------|--------------------|----------------------|------------------------------|--------|--------|----|--------|----------------------|--------|-----|
| | | | | | | | A1 | A2 | B | C | D* | | E | |
| Straight | 3 | 150NBSTL03 | NBBSK04EP | 7 | 140 | 20.0:1 | 125 | 8 1/2 | - | 18 | 18 | 8 5/8 | 5 3/4 | 45 |
| | 4 | 150NBSTL04 | NBBSK04EP | 13 | 140 | 10.8:1 | 215 | 8 1/2 | - | 18 | 18 | 8 5/8 | 5 3/4 | 45 |
| | 5 | 150NBSTL05 | NBBSK08EP | 19 | 250 | 13.2:1 | 340 | 13 3/4 | - | 26 | 20 | 10 3/4 | 7 1/2 | 75 |
| | 6 | 150NBSTL06 | NBBSK08EP | 28 | 250 | 8.9:1 | 488 | 13 1/4 | - | 26 | 20 | 10 3/4 | 7 1/2 | 75 |
| | 8 | 150NBSTL08 | NBBSK08EP | 50 | 250 | 5.0:1 | 854 | 12 1/4 | - | 26 | 20 | 10 3/4 | 7 1/2 | 80 |
| | 10 | 150NBSTL10-M | NBBSK10EP | 79 | 614 | 7.8:1 | 1344 | 21 | - | 36 | 26 | 16 | 11 3/4 | 155 |
| | 12 | 150NBSTL12-M | NBBSK10EP | 113 | 614 | 5.4:1 | 1901 | 20 | - | 36 | 26 | 16 | 11 3/4 | 170 |
| | 14 | 150NBSTL14-M | NBBSK14EP | 154 | 828 | 5.4:1 | 2295 | 22 | - | 39 | 30 | 18 | 14 | 230 |
| 16 | 150NBSTL16-M | NBBSK14EP | 192 | 828 | 4.3:1 | 3012 | 22 | - | 40 | 32 | 20 | 14 | 320 | |
| Eccentric Reducing | 3 x 2 | 150NBSTE32 | NBBSK04EP | 7 | 140 | 20.0:1 | 125 | 8 1/2 | 9 | 18 | 19 | 8 5/8 | 5 3/4 | 45 |
| | 4 x 2 | 150NBSTE42 | NBBSK04EP | 13 | 140 | 10.8:1 | 138 | 8 1/2 | 9 1/2 | 18 | 19 | 8 5/8 | 5 3/4 | 45 |
| | 4 x 2 1/2 | 150NBSTE45 | NBBSK04EP | 13 | 140 | 10.8:1 | 198 | 8 1/2 | 9 1/4 | 18 | 19 | 8 5/8 | 5 3/4 | 45 |
| | 4 x 3 | 150NBSTE43 | NBBSK04EP | 13 | 140 | 10.8:1 | 215 | 8 1/2 | 8 1/2 | 18 | 19 | 8 5/8 | 5 3/4 | 45 |
| | 6 x 3 | 150NBSTE63 | NBBSK08EP | 28 | 250 | 8.9:1 | 310 | 13 1/4 | 14 3/4 | 26 | 22 1/2 | 10 3/4 | 7 1/2 | 75 |
| | 6 x 4 | 150NBSTE64 | NBBSK08EP | 28 | 250 | 8.9:1 | 488 | 13 1/4 | 14 1/4 | 26 | 22 1/2 | 10 3/4 | 7 1/2 | 75 |
| | 6 x 5 | 150NBSTE65 | NBBSK08EP | 28 | 250 | 8.9:1 | 488 | 13 1/4 | 13 3/4 | 26 | 22 1/2 | 10 3/4 | 7 1/2 | 75 |
| | 8 x 4 | 150NBSTE84 | NBBSK08EP | 50 | 250 | 5.0:1 | 537 | 12 1/4 | 14 1/4 | 26 | 23 1/2 | 10 3/4 | 7 1/2 | 80 |
| | 8 x 5 | 150NBSTE85 | NBBSK08EP | 50 | 250 | 5.0:1 | 854 | 12 1/4 | 13 3/4 | 26 | 23 1/2 | 10 3/4 | 7 1/2 | 80 |
| | 8 x 6 | 150NBSTE86 | NBBSK08EP | 50 | 250 | 5.0:1 | 854 | 12 1/4 | 13 1/4 | 26 | 23 1/2 | 10 3/4 | 7 1/2 | 80 |
| | 10 x 6 | 150NBSTE16-M | NBBSK10EP | 79 | 614 | 7.8:1 | 1220 | 21 | 23 | 36 | 32 | 16 | 11 3/4 | 155 |
| | 10 x 8 | 150NBSTE18-M | NBBSK10EP | 79 | 614 | 7.8:1 | 1344 | 21 | 22 | 36 | 32 | 16 | 11 3/4 | 160 |
| | 12 x 6 | 150NBSTE26-M | NBBSK10EP | 113 | 614 | 5.4:1 | 1220 | 20 | 23 | 36 | 32 | 16 | 11 3/4 | 160 |
| | 12 x 8 | 150NBSTE28-M | NBBSK10EP | 113 | 614 | 5.4:1 | 1901 | 20 | 22 | 36 | 32 | 16 | 11 3/4 | 165 |
| | 12 x 10 | 150NBSTE20-M | NBBSK10EP | 113 | 614 | 5.4:1 | 1901 | 20 | 21 | 36 | 32 | 16 | 11 3/4 | 170 |
| | 14 x 8 | 150NBSTE48-M | NBBSK14EP | 154 | 828 | 5.4:1 | 2140 | 22 | 24 3/4 | 39 | 35 | 18 | 14 | 230 |
| 14 x 10 | 150NBSTE40-M | NBBSK14EP | 154 | 828 | 5.4:1 | 2295 | 22 | 23 5/8 | 39 | 35 | 18 | 14 | 230 | |
| 14 x 12 | 150NBSTE41-M | NBBSK14EP | 154 | 828 | 5.4:1 | 2295 | 22 | 22 5/8 | 39 | 35 | 18 | 14 | 230 | |
| 16 x 10 | 150NBSTE60-M | NBBSK14EP | 192 | 828 | 4.3:1 | 3012 | 22 | 24 5/8 | 39 | 38 | 20 | 14 | 320 | |
| 16 x 12 | 150NBSTE62-M | NBBSK14EP | 192 | 828 | 4.3:1 | 3012 | 22 | 23 5/8 | 39 | 38 | 20 | 14 | 320 | |

D* = Outside Diameter.

(4) Securing assemblies for 3" & 4" sizes. (6) Securing assemblies for 5" & 8" sizes. (8) Securing assemblies for 10" and larger.

PG-6-14
R-5/6/08