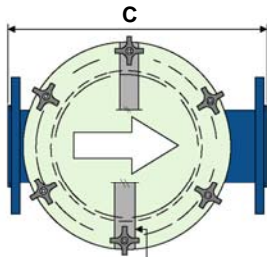
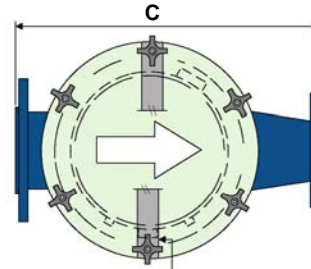


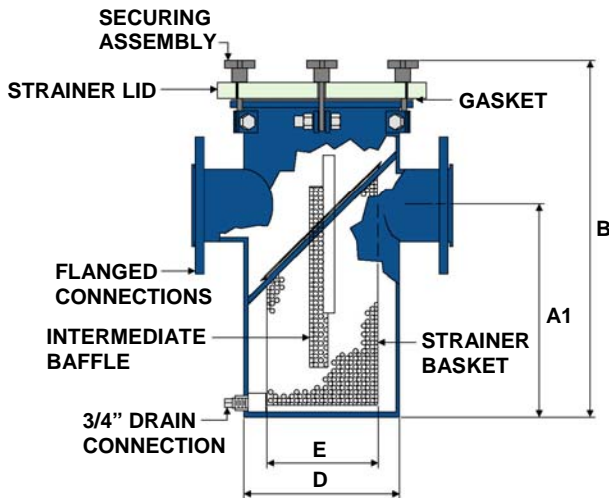
# Fiberglass Hair And Lint Strainers



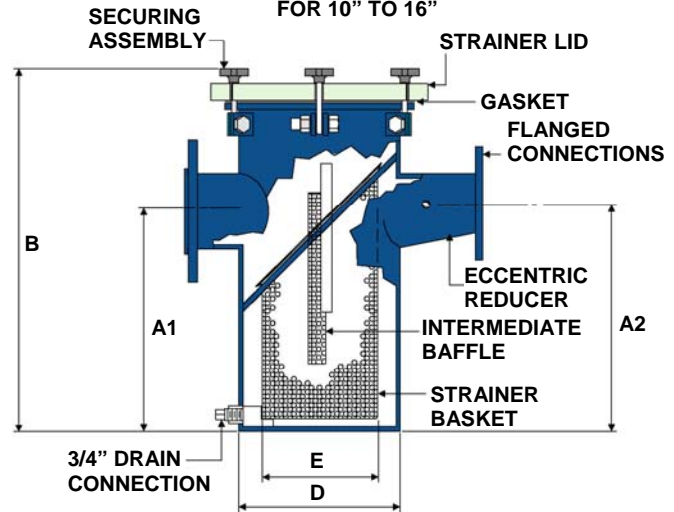
COVER BRACE FOR 10" TO 16"



COVER BRACE FOR 10" TO 16"



Straight



Eccentric Reducing

Capacity And Dimension Chart

	Strainer Size	Strainer Part #	SS Basket Part #	Open Area Of Pipe (Sq In)	Open Area Of Basket (Sq In)	Ratio Of Open Area	MAX. Flow Rate (GPM)	All dimensions are in inches					Approx. Weight (lbs.)	
								A1	A2	B	C	D*		E
Straight	3	1500NBFG03R1	NBBSK04EP	7	140	20.0:1	125	8 1/2	-	18	18	9 1/8	5 3/4	45
	4	1500NBFG04R1	NBBSK04EP	13	140	10.8:1	215	8 1/2	-	18	18	9 1/8	5 3/4	45
	6	1500NBFG06R1	NBBSK08EP	28	250	8.9:1	488	13 1/4	-	26	20	11 1/4	7 1/2	75
	8	1500NBFG08R1	NBBSK08EP	50	250	5.0:1	854	12 1/4	-	26	20	11 1/4	7 1/2	80
	10	1500NBFG10R1	NBBSK10EP	79	614	7.8:1	1344	21	-	36	26	16 1/2	11 3/4	155
	12	1500NBFG12R1	NBBSK10EP	113	614	5.4:1	1901	20	-	36	26	16 1/2	11 3/4	170
	14	1500NBFG14R1	NBBSK14EP	154	828	5.4:1	2295	22	-	39	30	18 1/2	14	230
Eccentric Reducing	4 x 2 1/2	150NBFG425ER1	NBBSK04EP	13	140	10.8:1	198	8 1/2	9 3/8	18	19	9 1/8	5 3/4	45
	4 x 3	150NBFG43ER1	NBBSK04EP	13	140	10.8:1	215	8 1/2	8 1/2	18	19	9 1/8	5 3/4	45
	6 x 3	150NBFG63ER1	NBBSK08EP	28	250	8.9:1	310	13 1/4	14 3/4	26	22 1/2	11 1/4	7 1/2	75
	6 x 4	150NBFG64ER1	NBBSK08EP	28	250	8.9:1	488	13 1/4	14 1/4	26	22 1/2	11 1/4	7 1/2	75
	6 x 5	150NBFG65ER1	NBBSK08EP	28	250	8.9:1	488	13 1/4	13 3/4	26	22 1/2	11 1/4	7 1/2	75
	8 x 5	150NBFG85ER1	NBBSK08EP	50	250	5.0:1	854	12 1/4	13 3/4	26	23 1/2	11 1/4	7 1/2	80
	8 x 6	150NBFG86ER1	NBBSK08EP	50	250	5.0:1	854	12 1/4	13 1/4	26	23 1/2	11 1/4	7 1/2	80
	10 x 5	150NBFG15ER1	NBBSK10EP	79	614	7.8:1	854	21	23 1/2	36	32	16 1/2	11 3/4	155
	10 x 6	150NBFG16ER1	NBBSK10EP	79	614	7.8:1	1220	21	23	36	32	16 1/2	11 3/4	155
	10 x 8	150NBFG18ER1	NBBSK10EP	79	614	7.8:1	1344	21	22	36	32	16 1/2	11 3/4	160
	12 x 6	150NBFG26ER1	NBBSK10EP	113	614	5.4:1	1220	20	23	36	32	16 1/2	11 3/4	160
	12 x 8	150NBFG28ER1	NBBSK10EP	113	614	5.4:1	1901	20	22	36	32	16 1/2	11 3/4	165
	14 x 8	150NBFG48ER1	NBBSK14EP	154	828	5.4:1	2140	22	24 3/4	39	35	18 1/2	14	230
	14 x 10	150NBFG40ER1	NBBSK14EP	154	828	5.4:1	2295	22	23 5/8	39	35	18 1/2	14	230
	14 x 12	150NBFG42ER1	NBBSK14EP	154	828	5.4:1	2295	22	22 5/8	39	35	18 1/2	14	230
	16 x 10	150NBFG60ER1	NBBSK14EP	192	828	4.3:1	3012	22	24 5/8	39	36	20 1/2	14	320
16 x 12	150NBFG62ER1	NBBSK14EP	192	828	4.3:1	3012	22	24	39	36	20 1/2	14	320	

D\* = Outside Diameter.

(4) Securing assemblies for 3" & 4" sizes. (6) Securing assemblies for 5" & 8" sizes. (8) Securing assemblies for 10" and larger.

PG-6-15  
R-5/6/08