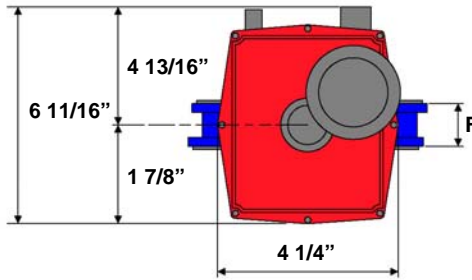
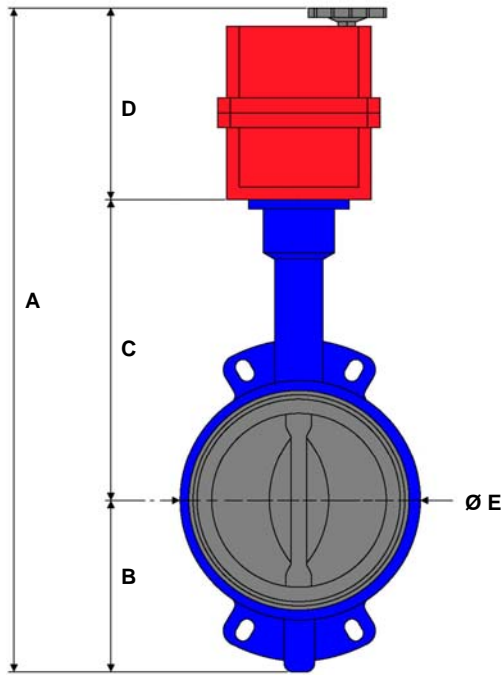
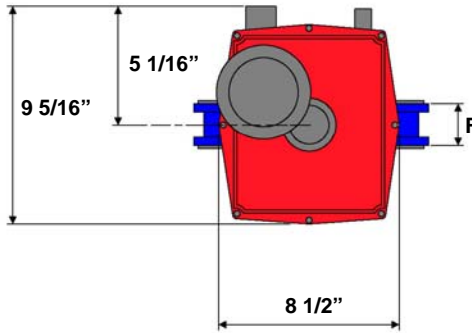


Electric Actuator Operated



H55 – 2" TO 4"



H140 – 5" TO 6"  
H300 – 8" TO 12"



Dimension and Weight Chart - All dimensions are in inches

Size		Part Number		Dimensions with electric actuator						Electric Actuator
in	mm	Stainless Steel Disc	Nylon Coated Disc	A	B	C	D	Ø E	F	
2	50	519020SELE	5190200ELE	16 1/2	3 1/4	5 1/2	7 3/4	4	1 3/4	H55
2 1/2	65	519025SELE	519020SELE	17 3/8	3 5/8	6	7 3/4	4 13/16	1 7/8	H55
3	80	519030SELE	5190300ELE	17 7/8	3 7/8	6 1/4	7 3/4	5 1/2	1 7/8	H55
4	100	519040SELE	5190400ELE	19 1/8	4 3/8	7	7 3/4	6 1/4	2 1/16	H55
5	125	519050SELE	5190500ELE	22 1/2	5	7 1/2	10	7 7/16	2 1/4	H140
6	150	519060SELE	5190600ELE	23 5/8	5 5/8	8	10	8 7/16	2 1/4	H140
8	200	519080SELE	5190800ELE	26 3/8	6 3/4	9 5/8	10	10 5/8	2 3/8	H300
10	250	519100SELE	5191000ELE	28 13/16	8	10 13/16	10	13 1/16	2 11/16	H300
12	300	519120SELE	5191200ELE	32 1/16	9 1/2	12 9/16	10	15	3 1/16	H300

### Electric Operator

- 24, 110, 220/240 Vac  
12, 24, 110 Vdc
- Corrosion Resistant Housing
- Manual Override
- Visual Position Indicator
- Two Additional Limit Switch Contacts
- Simple One Plug Din Connector