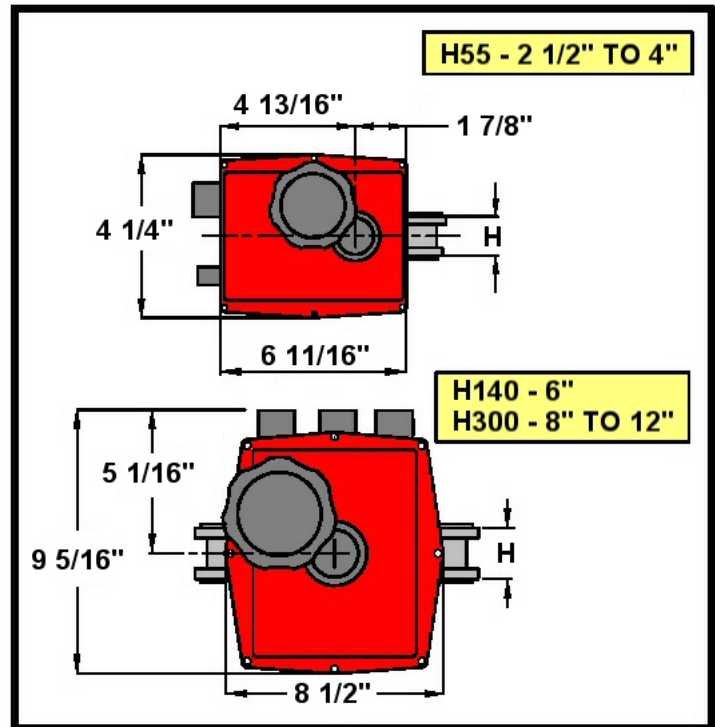
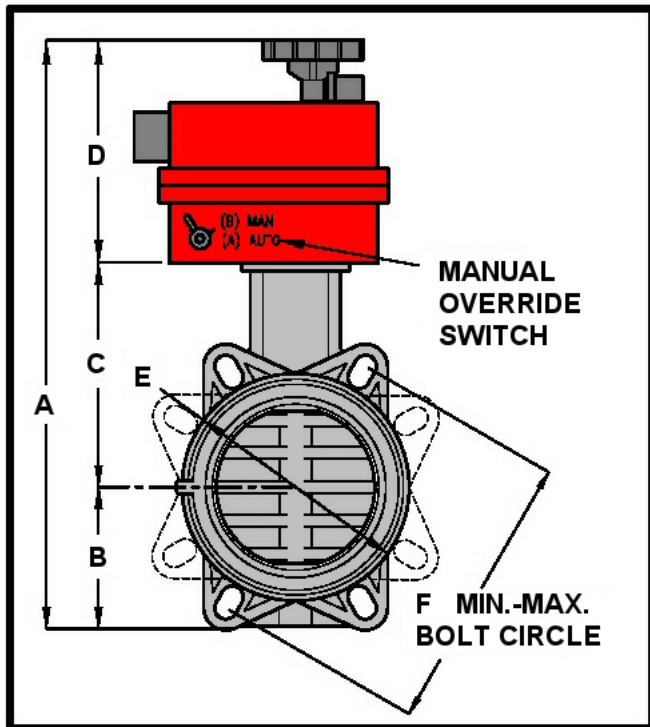


# Viceroy™ PVC Butterfly Valves

Electric Actuator Operated



Dimension And Weight Chart													
Size	DN	Part Number	Dimensions W/ Electric Actuator									Approx. Weight (Lbs.)	Electric Actuator
			A	B	C	D	E	F Min.	F Max.	H			
3"	80	5190300ELEV	16 3/4	3 3/4	5 1/4	7 3/4	5	5 3/4	6 1/4	2	8	H55	
4"	100	5190400ELEV	17 3/4	4 1/4	5 3/4	7 3/4	5 3/4	6 1/2	7 1/2	2 1/4	9	H55	
6"	150	5190600ELEV	22 5/8	5 1/4	7 1/8	10 1/4	8 1/8	9	9 1/2	2 7/8	15	H140	
8"	200	5190800ELEV	25 5/8	6 3/8	9	10 1/4	10 1/4	11	11 3/4	3	24	H300	
10"	250	5191000ELEV	27 3/8	7 7/8	9 1/4	10 1/4	12 1/4	14 1/4	14 1/4	4 3/8	43	H300	
12"	300	5191200ELEV	32 1/8	9 3/4	12 1/8	10 1/4	14 3/8	17	17	5 1/4	55	H300	

All dimensions are in inches.

## Electric Operator

- 24, 110, 220/240 Vac
- 12, 24, 110 Vdc
- Corrosion Resistant Housing
- Manual Override
- Visual Position Indicator
- Two Additional Limit Switch Contacts
- Simple One Plug Din Connector