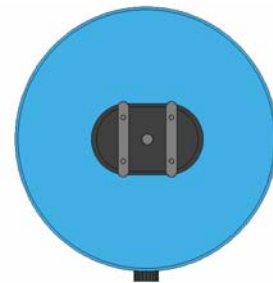
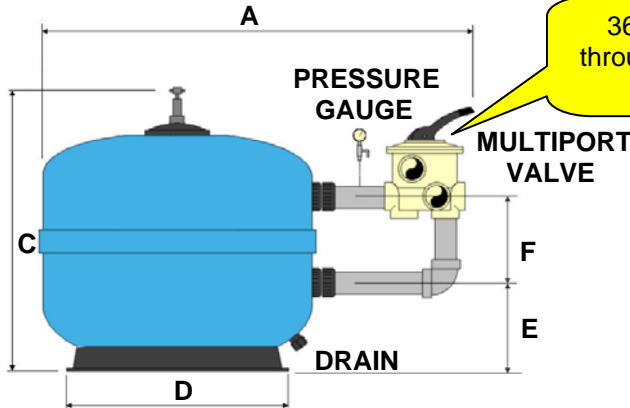
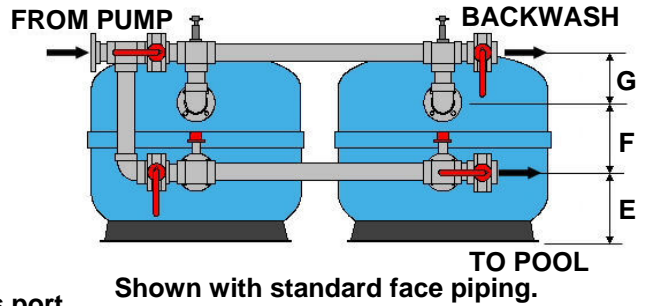
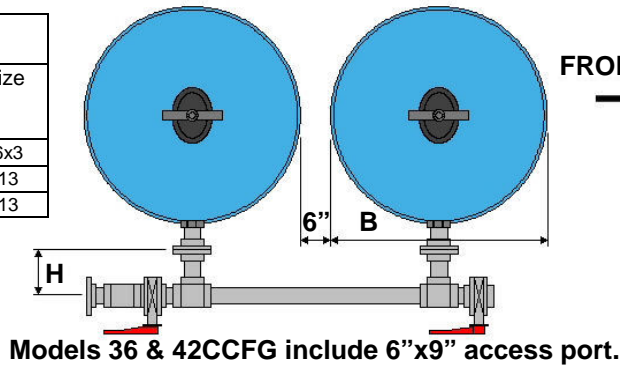


Model CCFG Legacy Fiberglass Filters

Face Piping Configurations

Filter Model Number	Tank Conn	Filter Area (SF)	Max Flow (GPM)	All dimensions are in inches						Tank Shipping Weight (LBS)	Operating Weight (LBS)
				A	B	C	D	E	F		
36CCFG-3	3	6.5	98	58	37	43 1/4	37 1/4	11 7/8	11 7/8	88	1380
42CCFG-3	3	9.0	135	64	43	44	38	13 3/4	13 3/4	111	2170
48CCFG-3	3	11.8	177	70	49	57 3/4	47 1/4	14 1/8	21 5/8	189	3410

Face Piping Dimensions		Face Piping Size (inches) Dual Tank		
Dimensions				
	3x3	4x3	6x3	
G	7	8	13	
H	7	8	13	

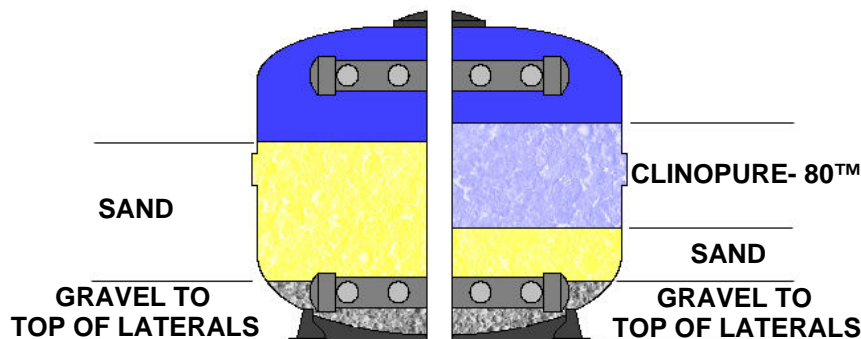


Model 48CCFG includes a 14"x18" access manway.

MEDIA REQUIREMENTS

Depth and Media Quantities

All dimensions are in inches								
STANDARD MEDIA CHART				CLINOPURE-80™ HYBRID MIX CHART				
Filter Model Number	Gravel (CF)	Filter Sand (CF)	Sand Depth	Gravel (CF)	Filter Sand (CF)	Clinopure-80 (CF)	Sand Depth	ClinoPure-80 Depth
36CCFG-3	2	6	11	2	2	6	5	10
42CCFG-3	3	9	11	3	3	10	4	12
48CCFG-3	3	16	17	3	9	12	9	12



PG-1-7
Rev. 5/6/08

