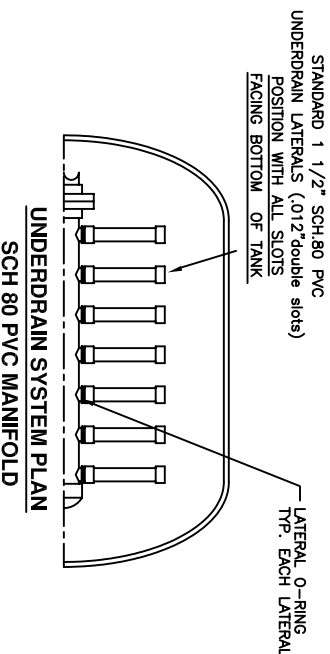
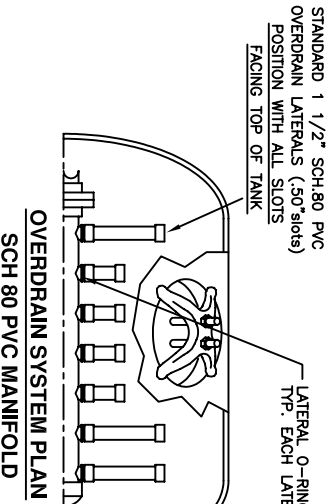


**PLAN VIEW**

**NOTES:**

1. FILTER TANK IS CONSTRUCTED OF HIGH STRENGTH FIBERGLASS AND VINYLESTER RESINS WITH ALL EXTERIOR SURFACES IMPREGNATED WITH SPECIAL UV STABILIZERS. DESIGN PRESSURE IS 50psi, HYDROSTATICALLY TESTED TO 1.1 X WORKING PRESSURE AND DESIGNED WITH A 4:1 SAFETY FACTOR.
2. UNDERRAIN AND OVERRAIN SYSTEMS ARE FACTORY INSTALLED AND SECURED FOR SHIPMENT. USE CAUTION WHEN MOVING TANK TO PREVENT DAMAGE TO THE SYSTEMS.
3. USE EXTREME CARE WHEN LOADING MEDIA TO PREVENT ANY DAMAGE TO INTERNAL PIPING. ALL FACE PIPING IS SHOP FITTED, ASSEMBLED AND KNOCKED DOWN INTO SUBASSEMBLES PRIOR TO SHIPMENT.
4. USE FLAT WASHERS UNDER BOLT HEADS AND NUTS AT ALL FLANGES.
5. ALL FILTER FACE PIPING SHALL BE SUPPORTED TO PREVENT SAGGING OR BREAKAGE. SUPPORTS ARE NOT SUPPLIED BY NEPTUNE-BENSON. USE INDUSTRY GUIDELINES FOR RECOMMENDED SPACING AND TYPES OF SUPPORTS SEE INSTALLATION AND OPERATION INSTRUCTIONS FOR ADDITIONAL INFORMATION.
6. MEDIA QUANTITIES ARE INDICATED FOR INFORMATIONAL PURPOSES ONLY.
7. IF USING MEDIA OTHER THAN SUPPLIED BY NEPTUNE-BENSON, INC., THE MEDIA MUST CONFORM TO THE REQUIREMENTS OF NSF STD. 50.
8. THIS FILTER SYSTEM IS LISTED TO NSF STD. 50, 5-20 GPM/SQ.FT. RATE.
9. STANDARD 1 1/2" SCH.80 PVC OVERRAIN LATERALS (.50" slots) POSITION WITH ALL SLOTS FACING TOP OF TANK
10. STANDARD 1 1/2" SCH.80 PVC UNDERRAIN LATERALS (.012" double slots) POSITION WITH ALL SLOTS FACING BOTTOM OF TANK



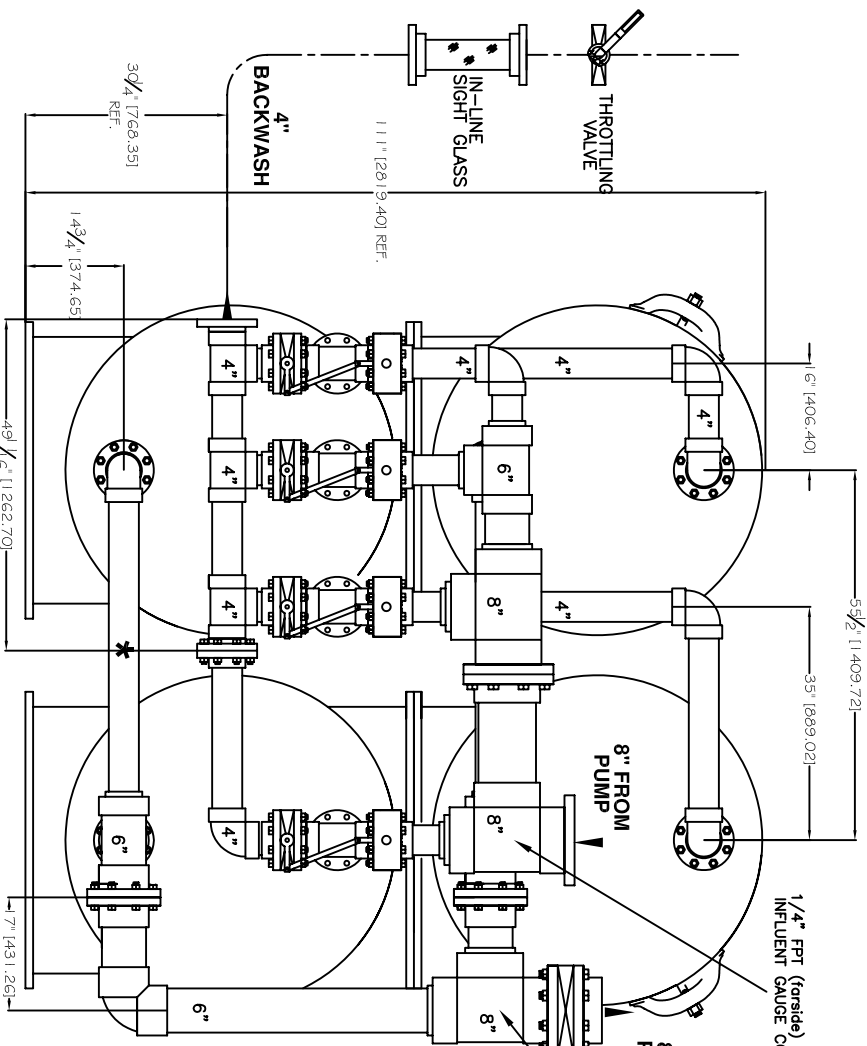
**NOTE: SEE PLAN VIEW FOR TRUE ORIENTATION OF ALL FITTINGS**

**\* FIELD NOTE!**  
TO MAINTAIN CRITICAL TANK SPACING AND TO AVOID DAMAGE TO FACE PIPING, INSTALL EFFLUENT MANIFOLD ON TANKS PRIOR TO LOADING MEDIA OR ANCHORING TANKS.

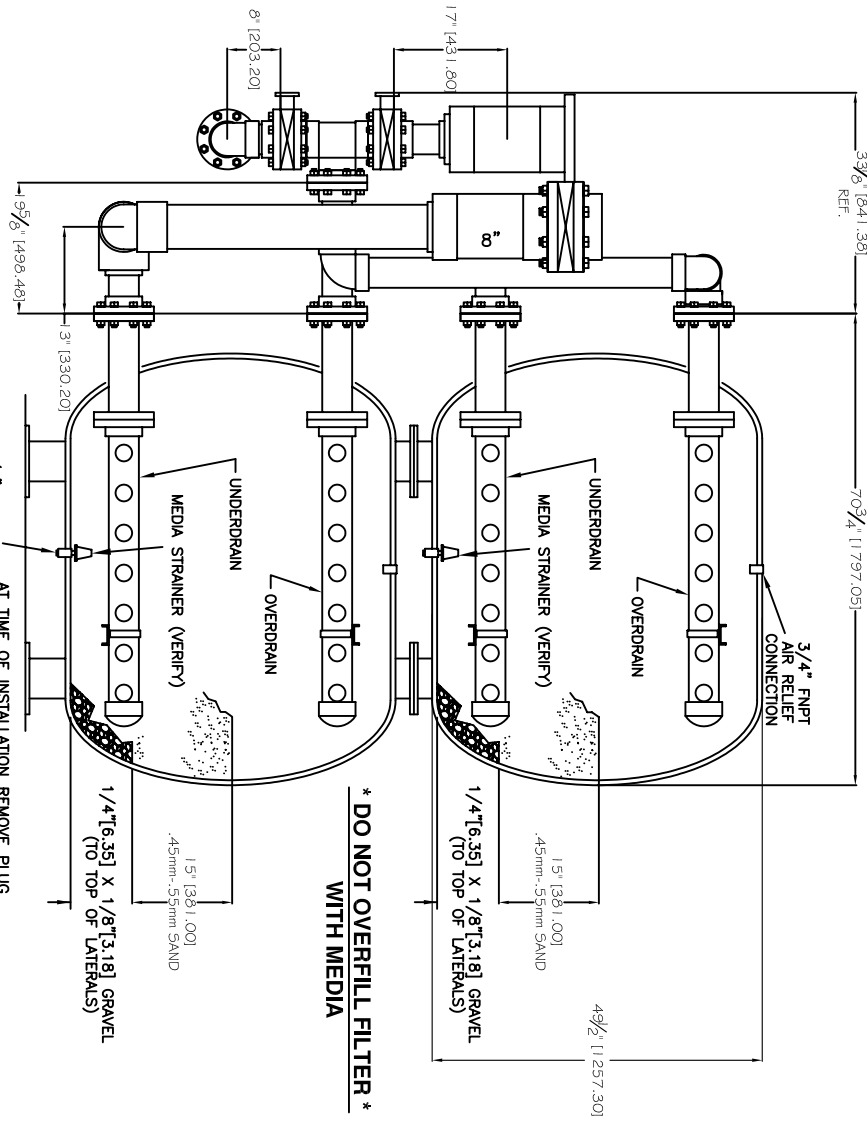
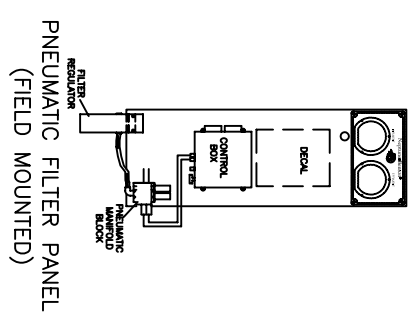
**NOTE: SEE PLAN VIEW FOR TRUE ORIENTATION OF ALL FITTINGS**

BILL OF MATERIAL			MARK	DESCRIPTION	PART #	REMARKS
1	1	HIGH RATE FIBERGLASS FILTER TANKS				
1	1	STACKED WITH INTERNALS				
2	1	HIGH RATE FIBERGLASS FILTER TANKS STACKED WITH INTERNALS				
3	1	8"x4" PVC FACEPIPING FOR 4SHFS				
4	1	3 WAY, PNEUMATIC OPER., DOMINION BUTTERFLY VALVE, LEVER OPER.,				
5	8	SS BOLTING KIT, 4" FLG-FLG				
6	5	SS BOLTING KIT, 4" FLG-FLG				
7	2	SS BOLTING KIT, 6" FLG-FLG				
8	1	SS BOLTING KIT, 8" FLG-FLG				
9	1	PNEUMATIC AUTO FILTER PANEL				
10	1	FILTER REGULATOR				
11	1	HARDWARE KIT-FILTER REGULATOR				
12	1	MANIFOLD BLOCK WITH SOLENOID VALVES				
13	1	HARDWARE-MANIFOLD BLOCK KIT				
14	1	4" 8-32 STEELS X 2 1/2" WITH NUTS AND WASHERS				
15	1	1/4" IN-LINE SIGHT GLASS				

**MATERIAL BILLED FOR ONE FILTER**



**FRONT ELEVATION**



**SIDE & PARTIAL SECTION VIEW**

FILTER DATA	
FLOW RATE = 1184 G.P.M. (268.9 m³/hr)	
FILTRATION RATE = 15 GPM/SQ.FT. (36.56m³/h/m²)	
FILTER AREA = 78.8 SQ.FT. (7.32m²)	
SINGLE TANK BACKWASH	
MIN. BACKWASH FLOW = 296 G.P.M. (67.2 m³/hr)	
MAX. BACKWASH FLOW = 394 G.P.M. (89.5 m³/hr)	
MEDIA REQUIREMENTS	
.45mm-.55mm SAND = 23 CU.FT. (.65m³)/TANK	
3.175mm X 6.35mm GRAVEL = 7 CU.FT. (.19m³)/TANK	



(411) 521-2200 • Fax: (411) 521-2201 • www.neptune-benson.com  
 THIS DRAWING, INCLUDING ALL SPECIFICS AND IMPROVATIONS DERIVED THEREFROM, CONSTITUTE THE PROPERTY OF NEPTUNE-BENSON, INC. IT IS NOT TO BE REPRODUCED, DISCLOSED TO OTHERS OR OTHERWISE USED IN ANY MANNER EXCEPT AS AUTHORIZED IN WRITING BY NEPTUNE-BENSON, INC.

**PROJECT**  
Website Sample

**CUSTOMER**  
-

**MODEL:** (4)4848SHFFGS-3WP-8X4

**ONE (1) HORIZONTAL FIBERGLASS HIGH RATE FILTER, MODEL NO.:(4)4848SHFFGS-3WP-8X4, REQUIRED AS SHOWN**

NO.	DATE	BY	DESCRIPTION

DRAWN	TWO	DRAWING NO.	REV.	JOB NO.